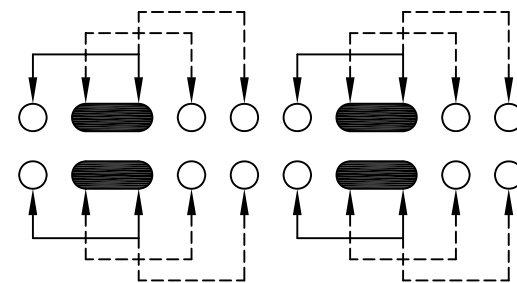
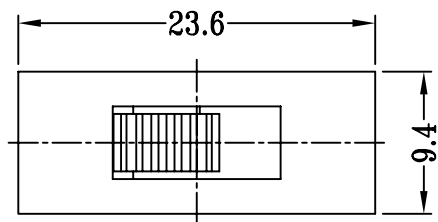
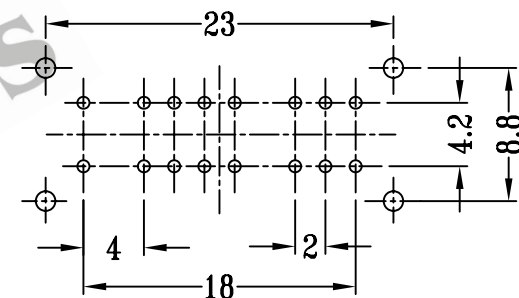
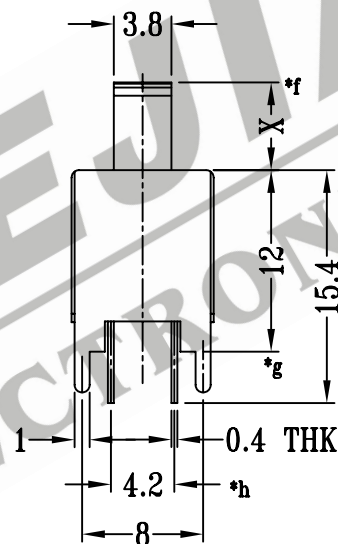
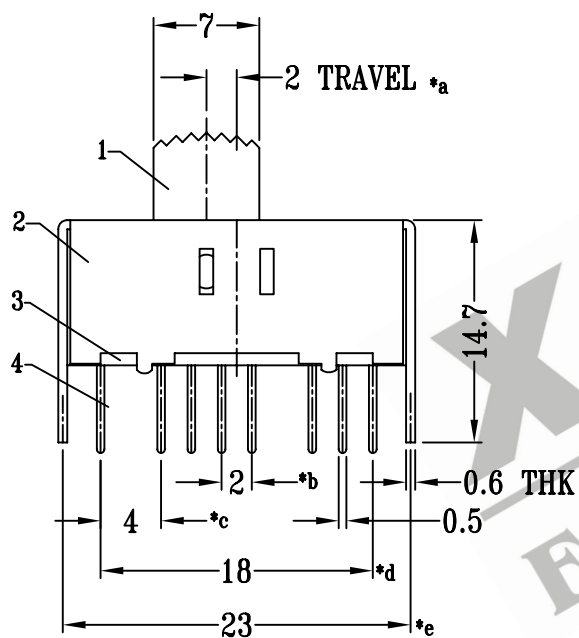


CAD FILE:



**SCHEMATIC (SHORTING)**



**P.C.B LAYOUT**

注:带"\*"表示关键尺寸(8个)

NO.	PARTS	MATERIALS	Q'TY	FINISH	TOLERANCE UNLESS SPECIFIED	SHENZHEN XIEJIA ELECTRONICS CO.,LTD.				
8						TITLE : VERTICAL SLIDE SWITCH	UNIT : mm	DRWG NO.: XJ-DR-SS43D03-00		
7	STEEL BALL	STEEL	2	NATURAL	WITHIN: 1.5±0.1mm OVER : 1.5±0.2mm					ISSUE
6	SPRING	STEEL WIRE	1	TEMPER		MODEL: SS-43D03	SCALE: 2:1	CHK'D	ZHOUYU	2001-12-3
5	CONTACT CLIP	PBS STRIP	4	Ag PLATED				APPD.	KANGXINAN	2001-12-3
4	TERMINAL	BRASS STRIP	16	Ag PLATED OVER Ni PLATED		ALL MATERIALS MUST BE COMPLIANT TO ROHS				
3	BASE	PHENOLIC RESIN	1	NATURAL						
2	FRAME	STEEL STRIP	1	Ni PLATED						
1	KNOB	POM	1	BLACK						